

Assembly Instructions - Cupboard HB-I

A1 - 18pcs



8x40mm

B1 - 4pcs



3,5x16mm

B3 - 12pcs



7x50mm

B4 - 2pcs



M4x22mm



Pull handle

F - 4pcs



Shelf pin

M - 2pcs



Hinge

Allen key - 1pc



B2 - 2pcs



4x40mm

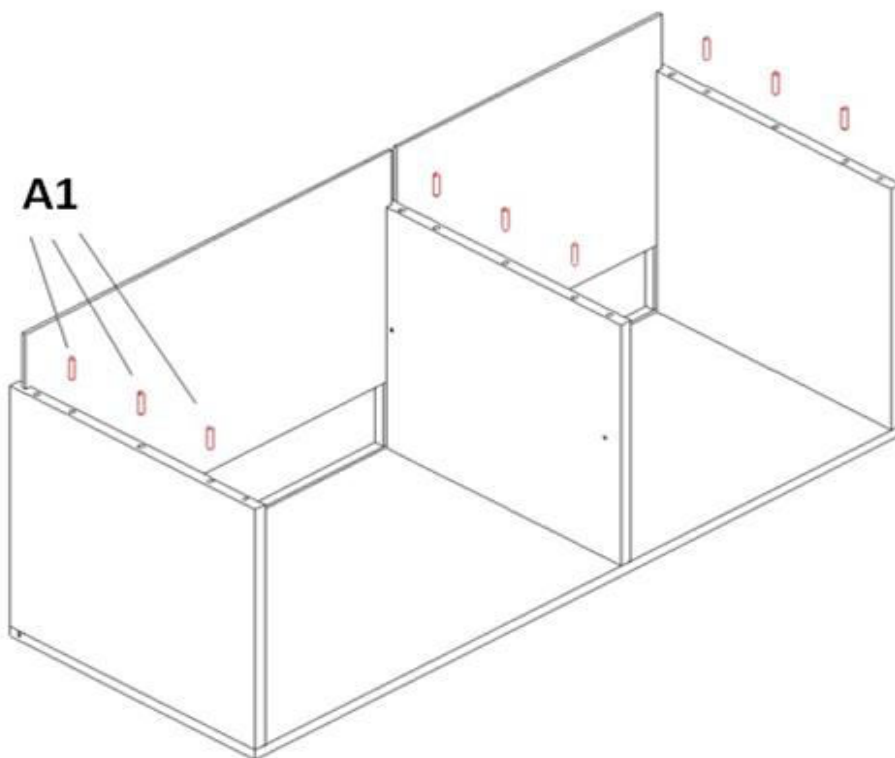
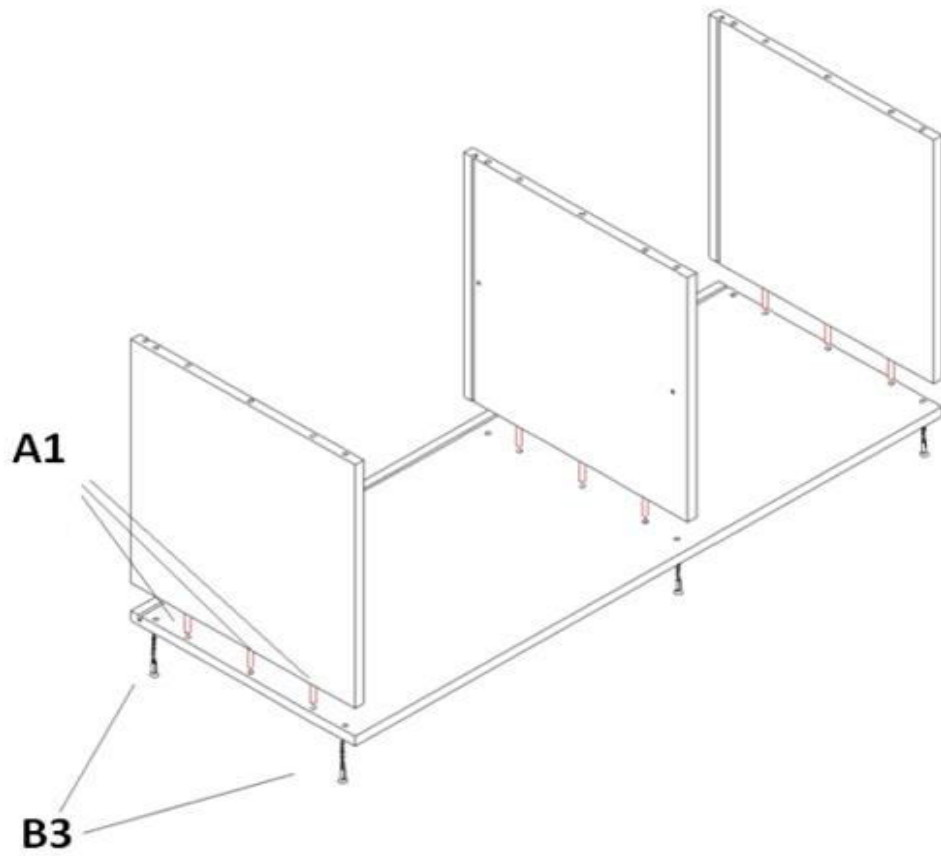
Screws for attaching of the cupboard to the frame of the workbench.

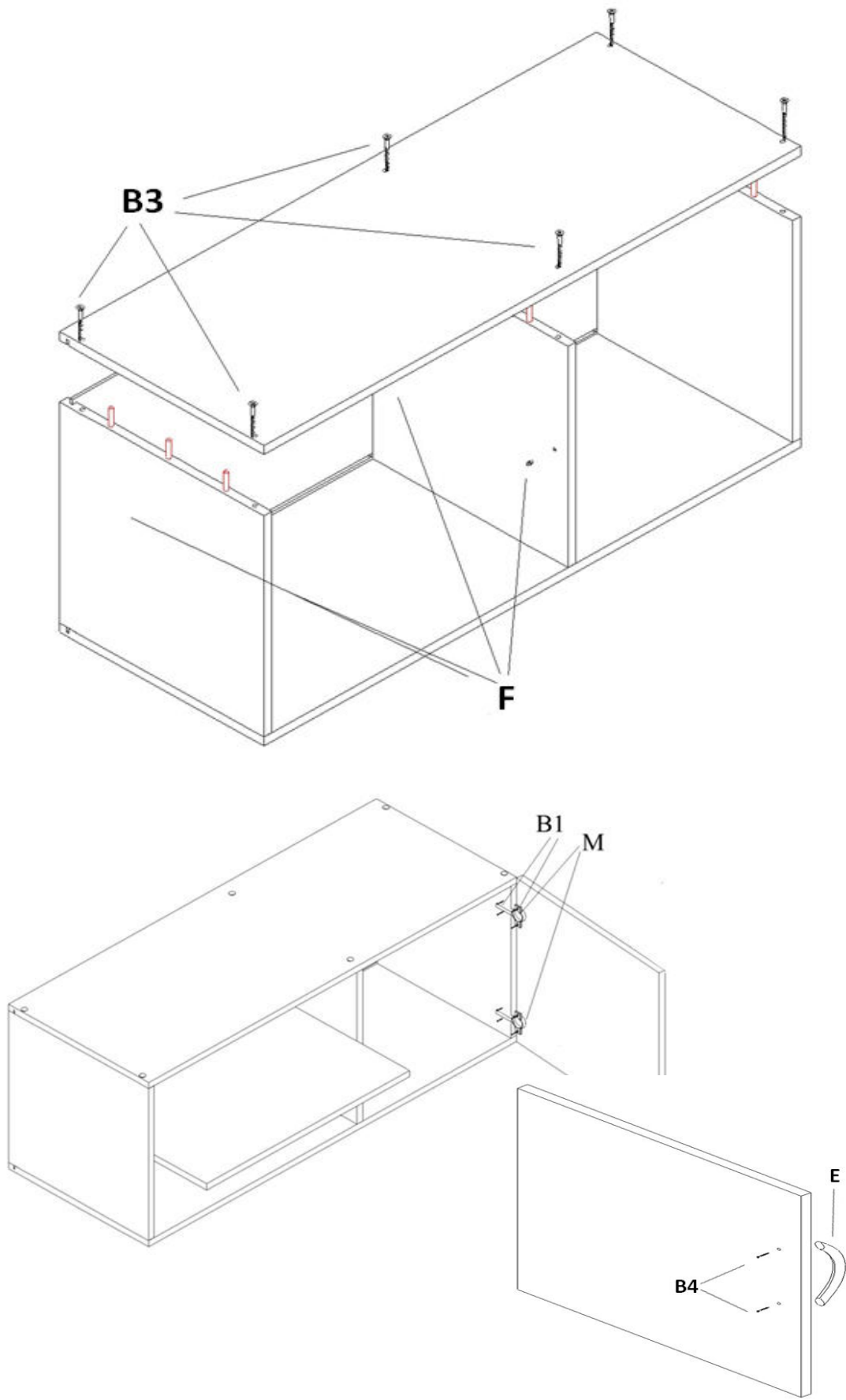
Attention:



Storage cupboard is made from high quality laminated chipboard maximum resistance and long service life.







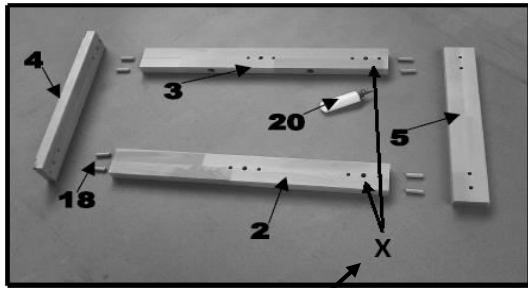


Fig. 1

X = lower predrilled holes for stretchers if cupboard is used.

Assembly instruction:

1. Place base (5) Top Rail Support (4) Back Leg (3) and Front Leg with Bench dog holes (2) with dowel holes facing inward as shown (Fig.1). Attach the Base and Top Rail Support to the Front Leg with Bench Dog Holes (2) and Back Leg (3) using four Dowels (18) and Glue (20) for each. **Hint: Do not fill up holes by glue. Smear dowels by glue and insert them into the dowels holes.** Use the inner holes. The outer hole on each side of Top Rail Support (4) will later be used to attach the bench Top (1). Repeat this process for the other leg assembly.

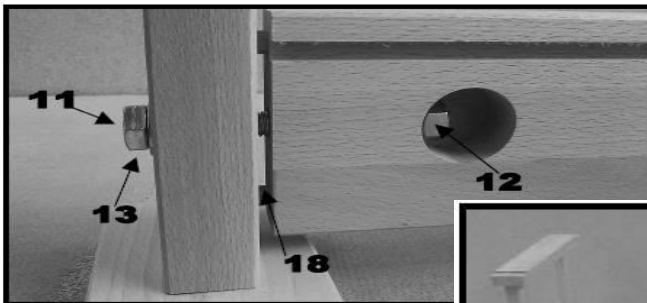


Fig. 2

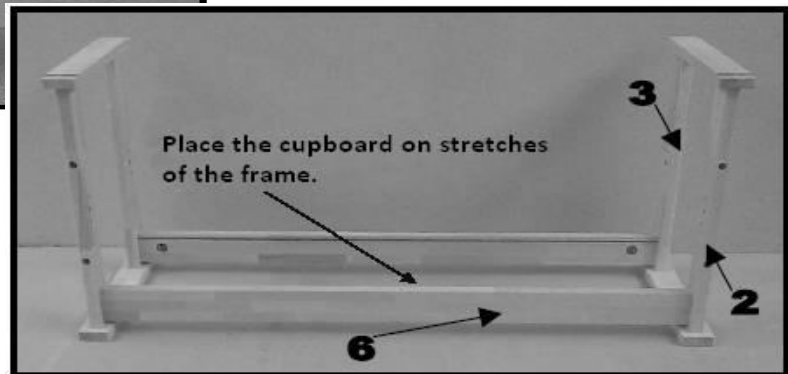


Fig. 3

2. Use two Dowels (18), one M-12x100 Hex Bolt (11) Washer (13) and M-12 Nut (12) to attach each Middle Stretcher (6) to the leg assembly (Fig. 2 and Fig. 3) Make sure the Bench dog holes in the legs are all facing forward. Repeat this process for the other leg assembly.



Fig. 4

3. Place (insert) the cupboard into the bench base and use two Wood Screws 4x40mm (screw B2 from assembly instructions of cupboard HB-I) (Fig.4).

4. Continue in assembling by assembly instructions of the workbench.